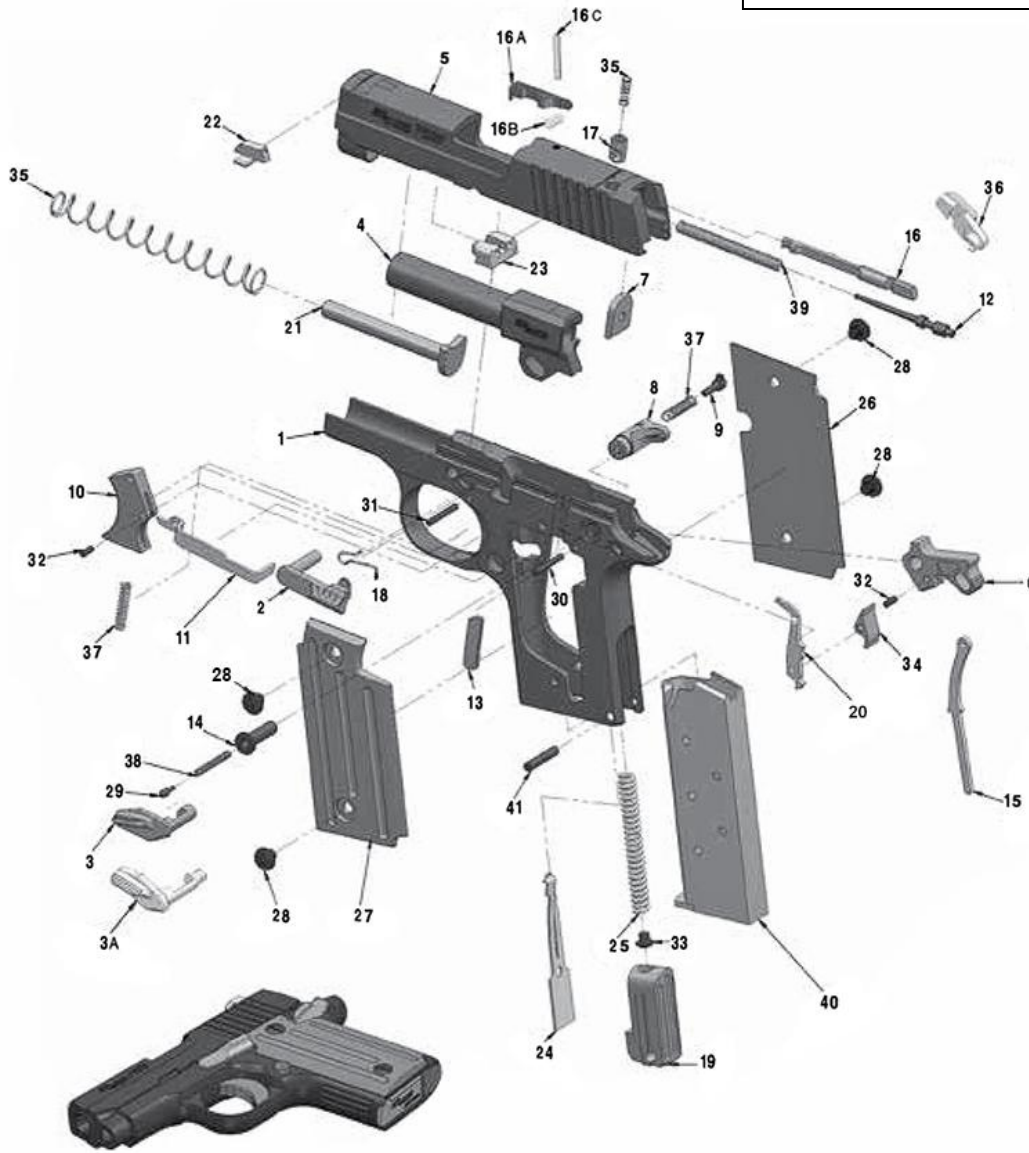


Sig Sauer P238 / P938 Parts Diagram



13.3 Parts List

Item	Description	Item	Description
1	Frame	20	Ejector
2	Slide Stop	21	Recoil Spring Guide
3	Thumb Safety	22	Front Sight
3A	Ambi Left Thumb Safety	23	Rear Sight
3B	Ambi Right Thumb Safety	24	Sear Spring
4	Barrel	25	Mainspring
5	Slide	26	Right Grip Plate
6	Hammer	27	Left Grip Plate
7	Firing Pin Stop	28	Grip Plate Screw
8	Magazine Catch	29	Safety Detent Plunger
9	Magazine Catch Lock	30	Sear Pin
10	Trigger Pad	31	Trigger Pin
11	Trigger Bar	32	Trigger Bar Pin
12	Firing Pin	33	Mainspring Housing Pin Lock
13	Disconnecter	34	Sear
14	Hammer Pin	35	Recoil Spring
15	Hammer Strut	36	Firing Pin Block Spring
16	Extractor	37	Magazine Catch / Trigger Bar Spring
16A	External Extractor	38	Safety Plunger Spring
16B	External Extractor Spring	39	Firing Pin Spring
16C	External Extractor Pin	40	Magazine
17	Firing Pin Block	41	Mainspring Housing Pin
18	Slide Stop Pin		
19	Mainspring Housing		