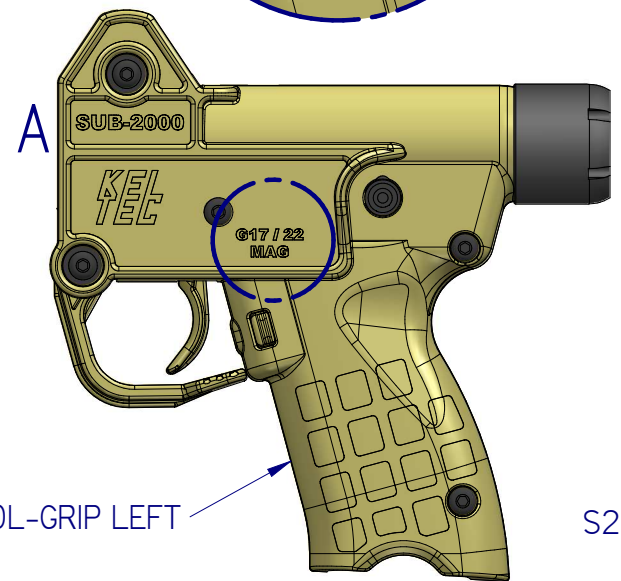
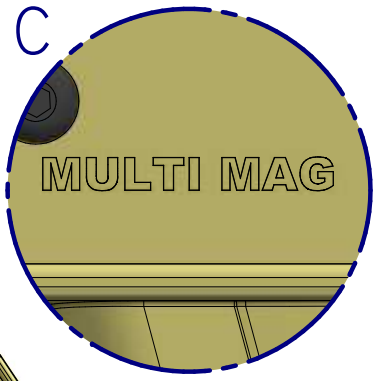
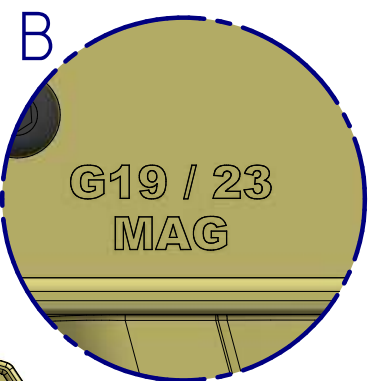
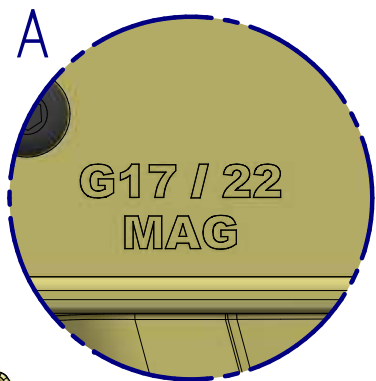
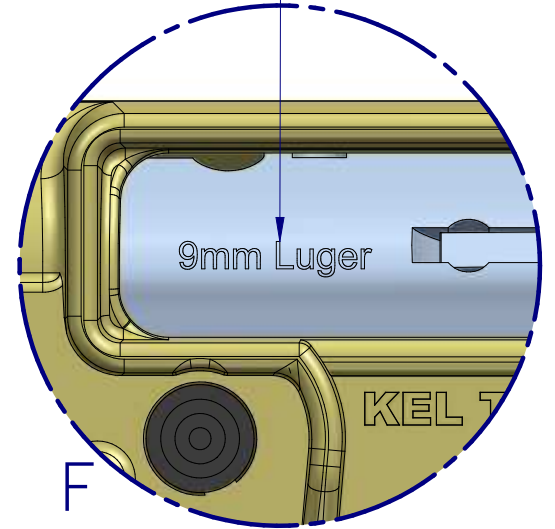




SUB-2000 GRIP COMPARISON



CALIBER DESIGNATION ON BOLT.
9MM LUGER OR 40 S&W



S2K-410L-GRIP LEFT

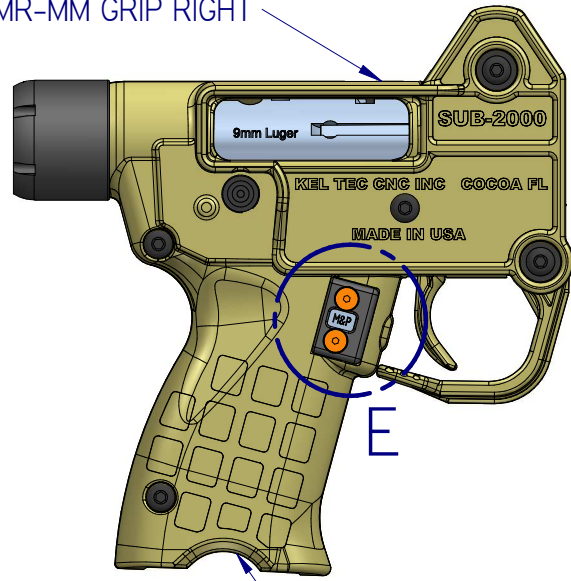
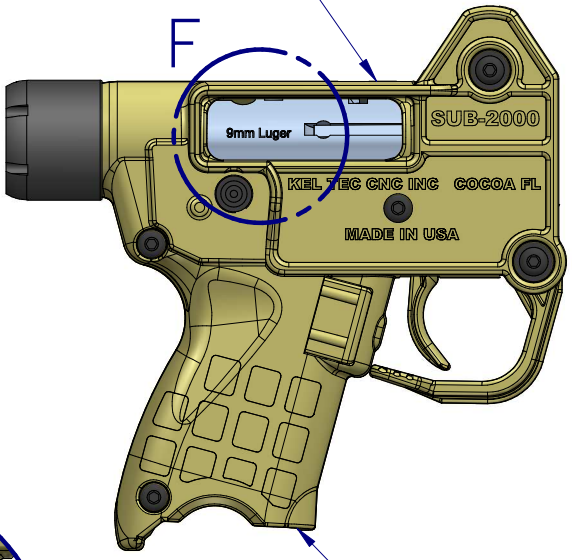
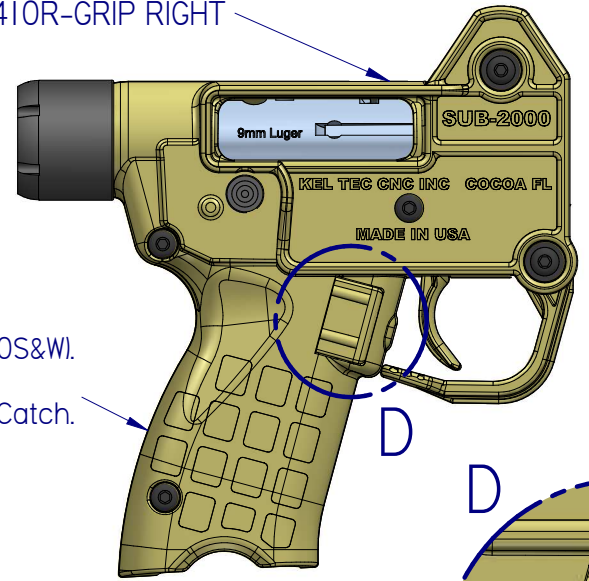
S2K-410LS-GRIP LEFT SHORT

S2K-410ML-MM GRIP LEFT

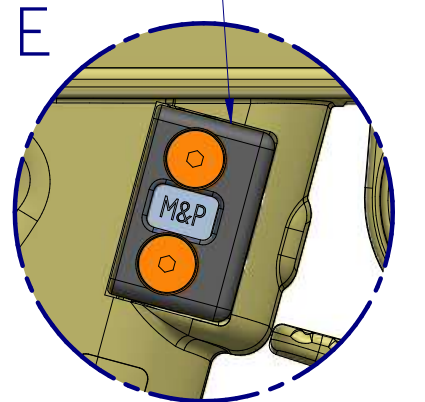
S2K-410R-GRIP RIGHT

S2K-410RS-GRIP RIGHT SHORT

S2K-410MR-MM GRIP RIGHT

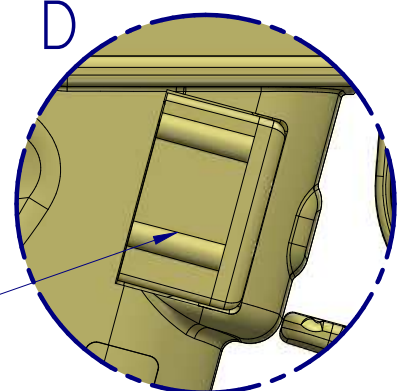


S2K-1205MM-MAG CATCH:
1) S2K-205SW-MAG CATCH (QTY:1)
2) S2K-206-MAG CATCH SCREW (QTY: 2).
3) MAG CATCH INSERT (QTY: 1).
(SEE MAG CATCH INSERT CHART).



Model: Glock 17 (9mm) or Glock 22 (40S&W).
Magazines: Glock 17 or Glock 22.
Mag Catch: SUB-2000-205-GLK Mag Catch.
(Picture D).

S2K-205-GLK MAG CATCH



Model: Glock 19 (9mm) or Glock 23 (40S&W).
Magazines: Glock 17, 19 or Glock 22, 23.
Mag Catch: SUB-2000-205-GLK Mag Catch.
(Picture D).

Model: Beretta or Smith and Wesson® M&P®
Magazines: Beretta 92, 96 or M&P® 9 or M&P® 40 ***
Mag Catch: SUB-2000-1205MM-MAG CATCH
***Two different production models, other models available aftermarket with different mag catch inserts.
*** See Mag Catch Insert Chart for full list of magazines / mag catch inserts.