

RUGER® PC CARBINE™

PARTS LIST

Design, prices and specifications subject to change without notice.

SPECIFY MODEL, CALIBER AND SERIAL NO. WHEN ORDERING

(See Exploded Views Pages 45 - 49)

Key	Part Name
1	Stock Assembly – Complete Includes Key Nos. 2 - 11 (See Exploded View p. 45)
2	Low Profile Cap Screw
3	Magazine Release Button
4	Magazine Release Spring
5	Magazine Release Stud
6	Stock Assembly
7	Butt Pad Holder
8	Butt Plate Screw, 2 Req'd
9	Pad Spacer
10	Recoil Pad Assembly
11	Recoil Pad Screws
12	Forend/Barrel Assembly – Complete Includes Key Nos. 13 - 32 (See Exploded View p. 46)
13	Thread Protector
14	O-Ring
15	Front Sight
16	Sight Screws, 4 Req'd
17	Forend Assembly
18	Locking Lever
19	Mounting Screws, 2 Req'd
20	Takedown Block
21	Detent Spring
22	Detent Plunger
23	Locking Plunger Spring
24	Locking Plunger Detent
25	Locking Plunger
26	Barrel Spacer
27	Adjustment Ring
28	Barrel
29	Rear Sight Base
30	Rear Sight Slide
31	Rear Sight Aperture
32	Set Screws, 2 Req'd
33	Magazine Well Assemblies (SR9/G9/American) – Complete Includes Key Nos. 34 - 42 (See Exploded Views p. 47)
34	Ejector
35	Magazine Well, SR9
36	Last Round Plunger
37	Latch Pin
38	Magazine Latch, SR9
39	Magazine Latch Spring
40	Magazine Well, G9

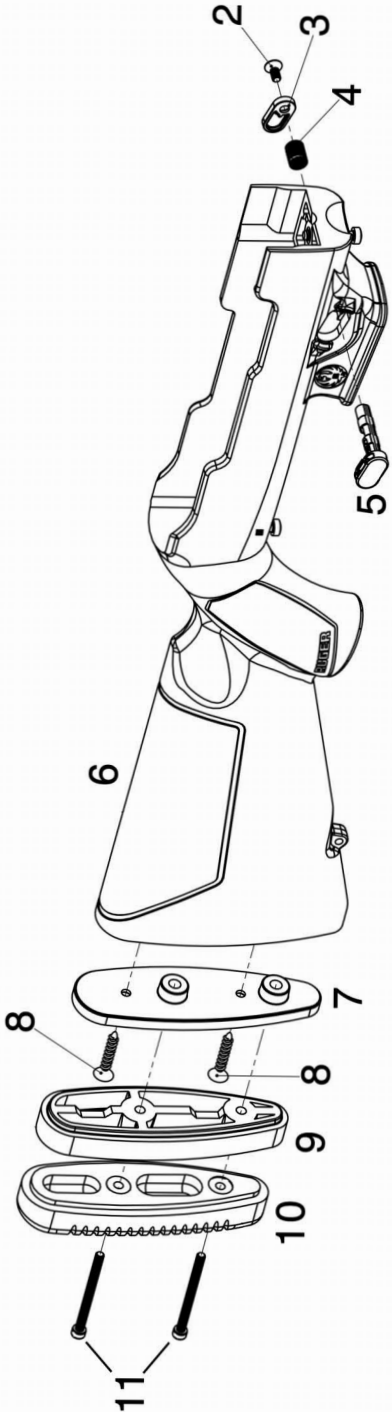
* Parts so marked must be factory fit.

Key	Part Name
41	Magazine Well, American 9mm
42	Magazine Latch, American 9mm
43	Last Round Catch
44	Last Round Spring
45	Last Round Pivot Pin
46	Barrel Block
* 47	Trigger Assembly – Complete Includes Key Nos. 48 - 66 (See Exploded View p. 48)
* 48	Hammer Strut Washer
* 49	Hammer Strut Spring
* 50	Hammer Strut
* 51	Hammer
* 52	Hammer Pivot Pin
* 53	Trigger Guard
54	Bolt Stop
55	Bolt Stop Spring
* 56	Trigger Pivot Pin
* 57	Trigger Plunger Spring
* 58	Trigger Plunger
* 59	Safety Detent Plunger Spring
* 60	Safety Detent Plunger
* 61	Safety Button
* 62	Trigger
* 63	Sear
* 64	Disconnecter Pin
* 65	Disconnecter
* 66	Disconnecter Spring
67	Socket Head Cap Screw
68	Charging Handle
69	Bolt Assembly – Complete Includes Key Nos. 70 - 83 (See Exploded View p. 48)
70	Bolt
71	Extractor
72	Extractor Spring
73	Extractor Pin
74	Bolt Head
75	Bolt Head Retaining Pins, 2 Req'd
76	Firing Pin
77	Firing Pin Spring
78	Buffer
79	Recoil Spring
80	Recoil Spring Retainer
81	Bolt Top
82	Guide Rod
83	Dead Blow Weight
84	Trigger Guard Cross Pins, 2 Req'd
† 85	Receiver
86	Button Head Screws, 3 Req'd

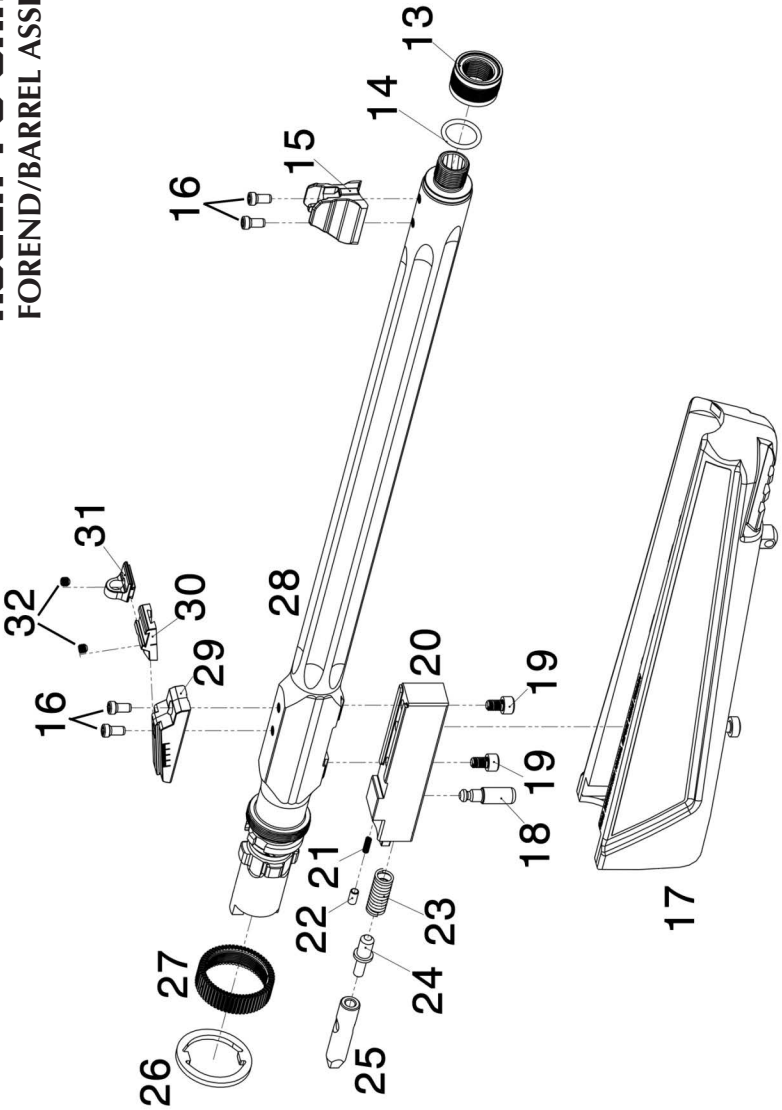
* Parts so marked must be factory fit.

† The receiver is a serial-numbered part and is not offered for sale.

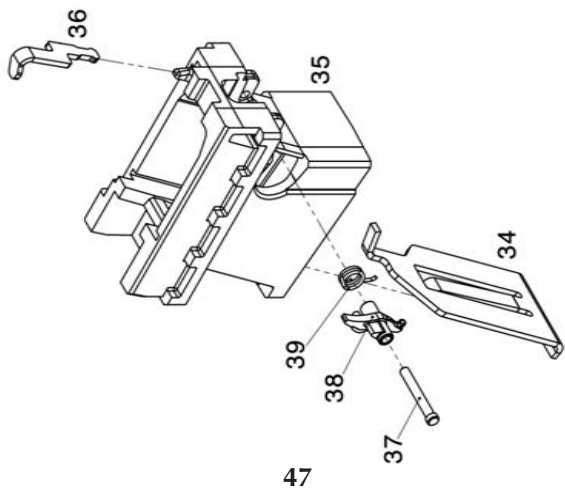
RUGER® PC CARBINE™
STOCK ASSEMBLY



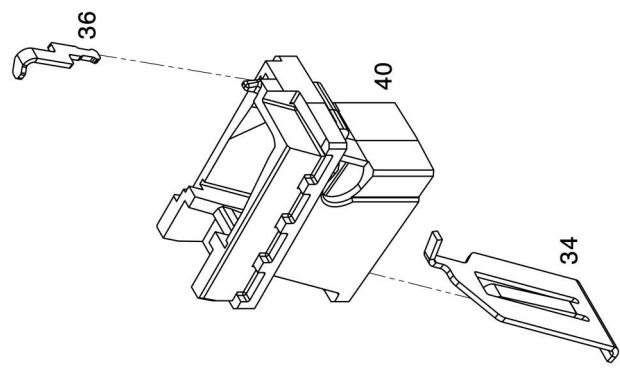
RUGER® PC CARBINE™
FOREND/BARREL ASSEMBLY



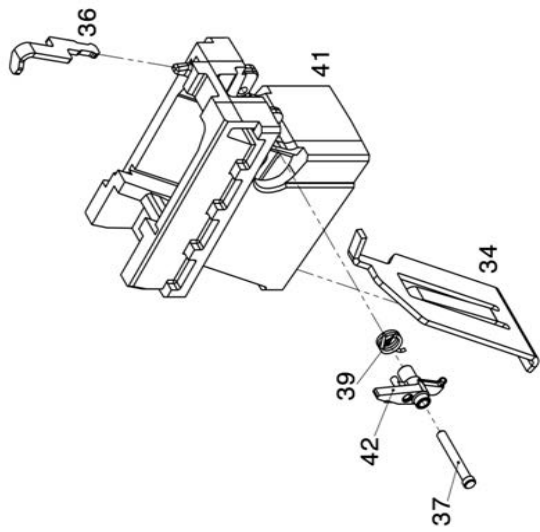
RUGER® PC CARBINE™
MAGAZINE WELL ASSEMBLIES



SR9 ASSEMBLY



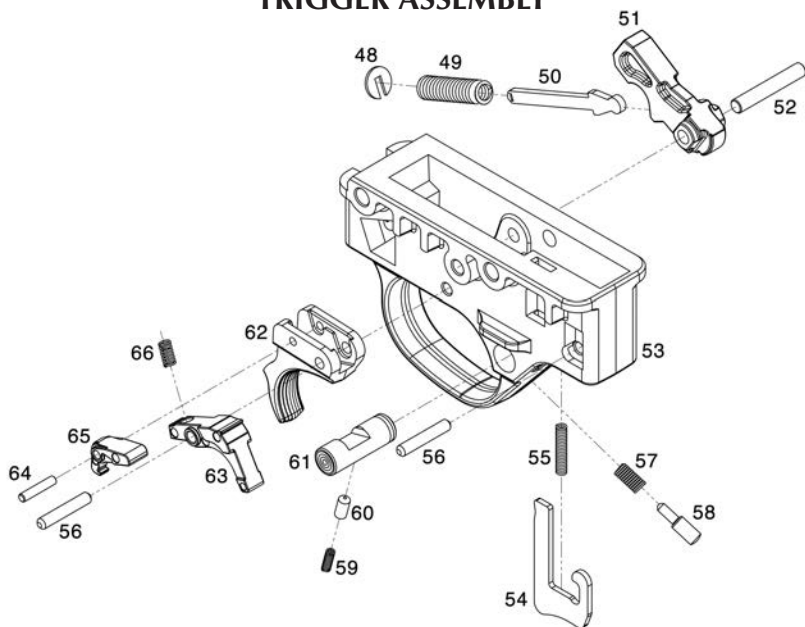
G9 ASSEMBLY



AMERICAN ASSEMBLY

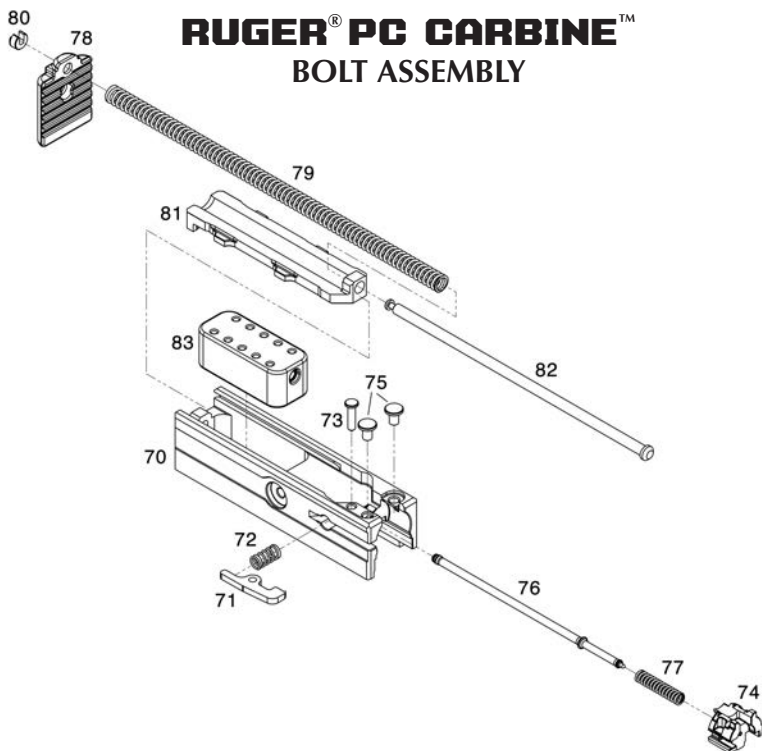
RUGER® PC CARBINE™

TRIGGER ASSEMBLY



RUGER® PC CARBINE™

BOLT ASSEMBLY



RUGER® PC CARBINE™

