

RUGER® LC9s®

PARTS LIST

Design, prices and specifications subject to change without notice.
SPECIFY MODEL, CALIBER, AND SERIAL NO. WHEN ORDERING
 (See Exploded View on Page 34)

Key No.	Part Name
†	1 Frame Insert
	2 Ejector
	3 Manual Safety
	4 Trigger Bar
	5 Trigger Pivot
	6 Blocker Lifter
	7 Sear
	8 Blocker Lifter Spring
	9 Pivot Pin
	10 Trigger
	11 Inner Trigger
	12 Inner Trigger Spring
	13 Trigger Assembly Pin
	14 Slide Stop
	15 Slide Stop Spring
	16 Sear Spring
	17 Trigger Pin
	18 Trigger Spring
	19 Manual Safety Spring
	20 Magazine Disconnect
	21 Magazine Disconnect Spring
††	22 Grip Frame
	23 Magazine Latch
	24 Magazine Latch Spring
*	25 Slide
	26 Rear Sight
	27 Striker Blocker
	28 Striker
	29 Striker Sleeve
	30 Striker Spring
	31 Striker Keeper
	32 Guide Rod Assembly
	33 Striker Cover

† The Frame Insert is a serial-numbered component and is defined as a “firearm” by Federal Law and is not sold as a separate component.

†† The Grip Frame is a part of the Frame Insert and is not offered for sale.

* PARTS SO MARKED MUST BE FACTORY FIT

Key No.	Part Name
34	Rear Sight Screw
35	Striker Blocker Spring
36	Blocker Keeper
37	Front Sight
38	Extractor Spring
39	Extractor Plunger
40	Extractor
* 41	Barrel, 9mm
42	Takedown Pin
43	Frame Insert Pin, 2 Req'd
44	Take Down Plate
45	Magazine, Complete, 9mm
46	Magazine Floor Plate, Extended

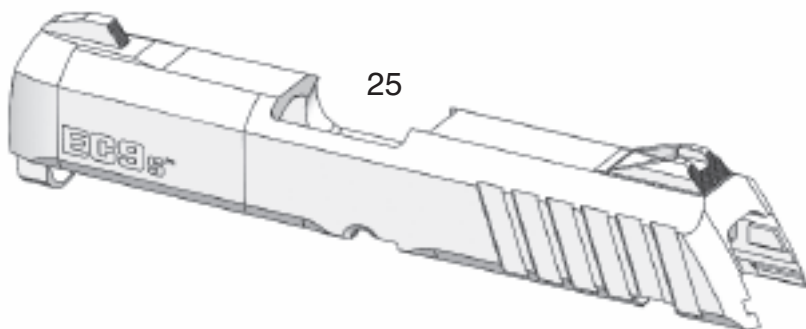
* PARTS SO MARKED MUST BE FACTORY FIT

RUGER® EC9s™ **SUPPLEMENTAL PARTS LIST & EXPLODED VIEW**

**Please See Pages 32 - 34 of the Enclosed Instruction Manual For All Other
Parts Lists and Exploded View Drawings**

Key No.	Part Name
* 25	Slide (Includes fixed front & rear sights)

* PARTS SO MARKED MUST BE FACTORY FIT



RUGER® LC9s®
EXPLODED VIEW

