

RUGER® LC9® and LC380™ PARTS LIST

Design, prices and specifications subject to change without notice.

SPECIFY MODEL AND CALIBER WHEN ORDERING

(See Exploded View on Page 33)

Key No.	Part Name	Part No.	Model	
†	1	Frame Insert	CP00250	LC9, LC380
	2	Trigger Pivot	CP06710	LC9, LC380
	3	Trigger	CP03900	LC9, LC380
	4	Slide Hold Open	CP03700	LC9, LC380
	5	Trigger Bar	CP01700	LC9, LC380
	6	Hammer	CP04000	LC9, LC380
	7	Hammer Roll Pin	CP05150	LC9, LC380
	8	Hammer Spring	CP00400	LC9, LC380
	9	Blocker Lever	CP02110	LC9, LC380
	10	Hammer Pivot Pin	CP02300	LC9, LC380
	11	Magazine Disconnect	CP05000	LC9, LC380
	12	Magazine Disconnect Spring	CP05600	LC9, LC380
	13	Trigger Pin	CP03950	LC9, LC380
	14	Trigger Spring	CP00450	LC9, LC380
	15	Ejector Housing	CP00900	LC9, LC380
	16	Manual Safety Detent Plunger	CP02380	LC9, LC380
	17	Hammer Pivot Detent Spring	CP02360	LC9, LC380
	18	Manual Safety Spring Guide	CP01570	LC9, LC380
	19	Manual Safety Puck	CP01550	LC9, LC380
	20	Manual Safety	CP01500	LC9, LC380
	21	Firing Pin Blocker Lifter Spring	CP06420	LC9, LC380
	22	Manual Safety Detent Spring	CP01560	LC9, LC380
	23	Slide Stop Spring	CP03720	LC9, LC380
	24	Take Down Plate	CP03760	LC9, LC380
*	25	Slide	CP00100	LC9
		Slide	CM00100	LC380
	26	Extractor Spring	SC06450	LC9, LC380
	27	Extractor Plunger	SC04600	LC9, LC380
	28	Firing Pin	CP01100	LC9, LC380
	29	Extractor	CP01400	LC9, LC380
	30	Loaded Chamber Indicator	CP11000	LC9, LC380
	31	Front Sight	CP03200	LC9, LC380
	32	Firing Pin Blocker	CP05050	LC9, LC380
	33	Loaded Chamber Indicator Spring	CP01150	LC9, LC380
	34	Firing Pin Retainer	CP01120	LC9, LC380
	35	Loaded Chamber Indicator Pin	CP06350	LC9, LC380

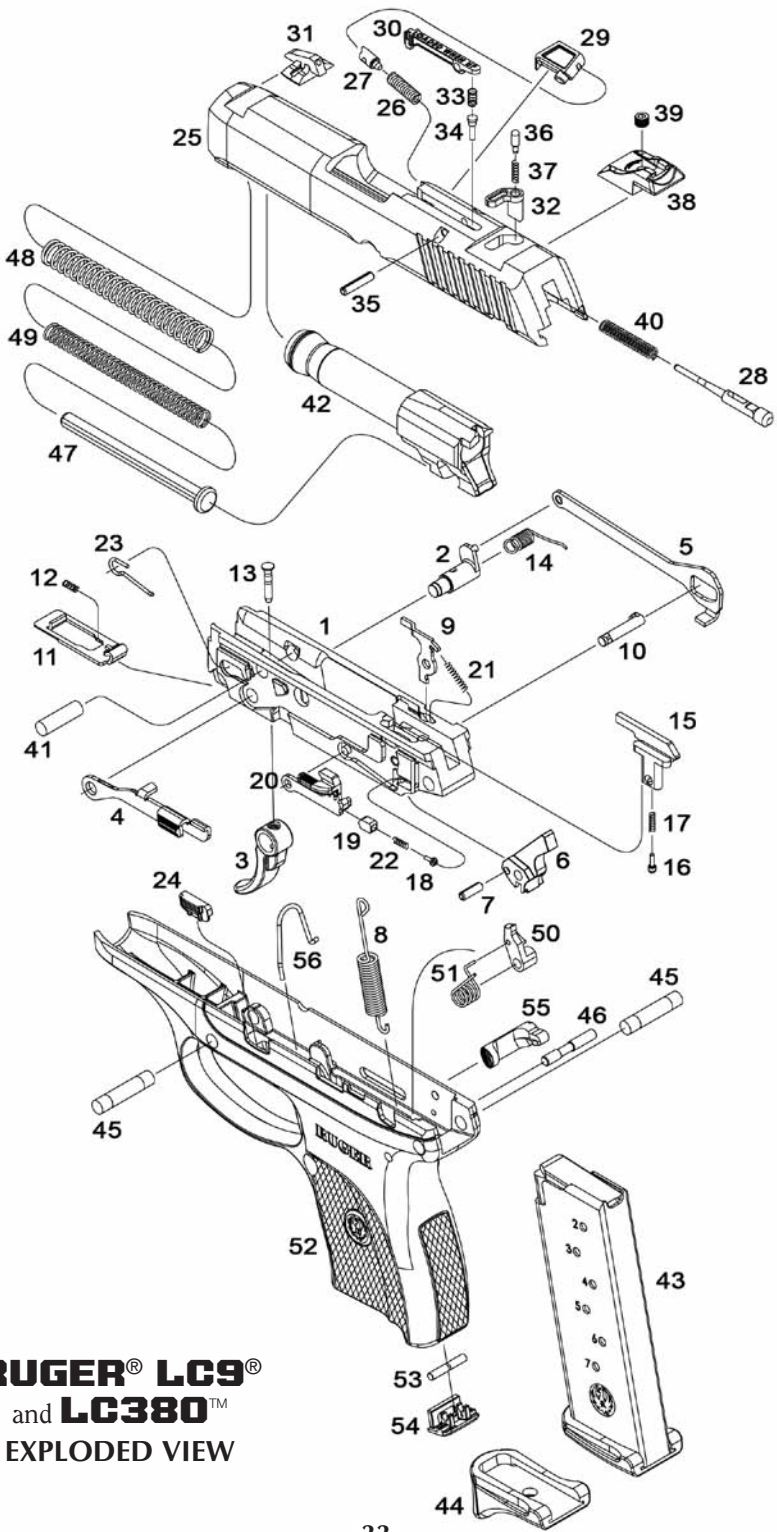
* PARTS SO MARKED MUST BE FACTORY FITTED

† The Frame Insert is a serial-numbered component and is defined as a “firearm” by Federal Law and is not sold as a separate component.

Key No.	Part Name	Part No.	Model
36	Pawl, Hammer Dog & Crane Latch Spring Plunger	KH05100	LC9, LC380
37	Firing Pin Blocker Spring	CP05650	LC9, LC380
38	Rear Sight	CP03300	LC9, LC380
39	8-32 NC -2A X .187 Hex Soc Flat Pt – With Patch	CP08001	LC9, LC380
40	Firing Pin Spring	CP01800	LC9, LC380
41	Takedown Pin	CP03750	LC9, LC380
* 42	Barrel, 9mm	CP00600	LC9
	Barrel, 380 Auto	CM00600	LC380
43	Magazine, Complete, 9mm, 7-rd.	CP00500	LC9
	Magazine, Complete, 380 Auto, 7-rd.	CM00500	LC380
44	Magazine Floor Plate, Extended	CP01010	LC9, LC380
45	Frame Insert Pin, 2 Req'd	CP06305	LC9, LC380
46	Hammer Catch Pin	CP02350	LC9, LC380
47	Guide Rod	CP02000	LC9, LC380
48	Recoil Spring, Outer	CP02810	LC9
	Recoil Spring, Outer	CM02810	LC380
49	Recoil Spring, Inner	CP02801	LC9
	Recoil Spring, Inner	CM02801	LC380
50	Hammer Catch	CP02200	LC9, LC380
51	Hammer Catch Spring	CP05400	LC9, LC380
†† 52	Grip Frame	CP00200	LC9, LC380
53	Hammer Anchor Pin	CP02410	LC9, LC380
54	Hammer Spring Seat	CP02400	LC9, LC380
55	Magazine Latch	CP02600	LC9, LC380
56	Magazine Latch Spring	CP02700	LC9, LC380

* PARTS SO MARKED MUST BE FACTORY FITTED

†† The Grip Frame is a part of the Frame Insert and is not offered for sale.



RUGER® LC9®
 and **LC380™**
 EXPLODED VIEW