

RUGER® PC CHARGER™

PARTS LIST

Design, prices and specifications subject to change without notice.

SPECIFY MODEL, CALIBER AND SERIAL NO. WHEN ORDERING

(See Exploded Views Pages 49 - 53)

Key	Part Name
1	Chassis Assembly – Complete Includes Key Nos. 2 - 6 (See Exploded View p. 49)
2	Latch Stud
3	Magazine Release Spring
4	Latch Button
5	Low Profile Cap Screw
6	Chassis Assembly
7	Magazine Well Assemblies (SR9/G9/American) – Complete Includes Key Nos. 8 - 16 (See Exploded Views p. 51)
8	Ejector
9	Magazine Well, SR9/Security-9
10	Last Round Plunger
11	Latch Pin
12	Magazine Latch, SR9/Security-9
13	Magazine Latch Spring
14	Magazine Well, G9
15	Magazine Well, American 9mm
16	Magazine Latch, American 9mm
† 17	Receiver
* 18	Trigger Assembly – Complete Includes Key Nos. 19 - 37 (See Exploded View p. 52)
* 19	Hammer Strut Washer
* 20	Hammer Strut Spring
* 21	Hammer Strut
* 22	Hammer
* 23	Hammer Pivot Pin
* 24	Trigger Guard
25	Bolt Stop
26	Bolt Stop Spring
* 27	Trigger Pivot Pin
* 28	Trigger Plunger Spring
* 29	Trigger Plunger
* 30	Safety Detent Plunger Spring
* 31	Safety Detent Plunger
* 32	Safety Button
* 33	Trigger
* 34	Sear
* 35	Disconnecter Pin
* 36	Disconnecter
* 37	Disconnecter Spring

* Parts so marked must be factory fit.

† The receiver is a serial-numbered part and is not offered for sale.

Key	Part Name
38	Bolt Assembly – Complete Includes Key Nos. 39 - 52 (See Exploded View p. 52)
39	Bolt
40	Extractor
41	Extractor Spring
42	Extractor Pin
43	Bolt Head
44	Bolt Head Retaining Pins, 2 Req'd
45	Firing Pin
46	Firing Pin Spring
47	Buffer
48	Recoil Spring
49	Recoil Spring Retainer
50	Bolt Top
51	Guide Rod
52	Dead Blow Weight
53	Trigger Guard Cross Pin, 2 Req'd
54	Barrel Block
55	Last Round Catch
56	Last Round Pivot Pin
57	Last Round Spring
58	Button Head Screw, 3 Req'd
59	Charging Handle
60	Cap Screw
61	Barrel/Handguard Assembly – Complete Includes Key Nos. 62 - 74 (See Exploded View p. 53)
62	Barrel
63	Barrel Spacer
64	Adjusting Knob
65	Safety Detent Plunger
66	Locking Plunger Detent
67	Locking Plunger
68	Mounting Screw, 2 Req'd
69	Thread Protector
70	Locking Plunger Spring
71	Detent Spring
72	O-Ring
73	Locking Lever
74	Handguard

Key Part Name

75 Receiver Bracket

76 Grip Mount

77 Grip

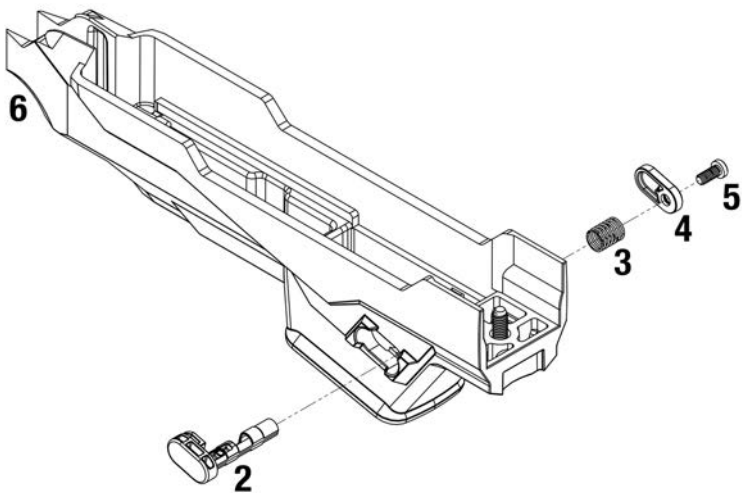
78 Grip Mount Retention Screw, Long

79 Socket Head Cap Screw, Short

80 Pistol Grip Screw

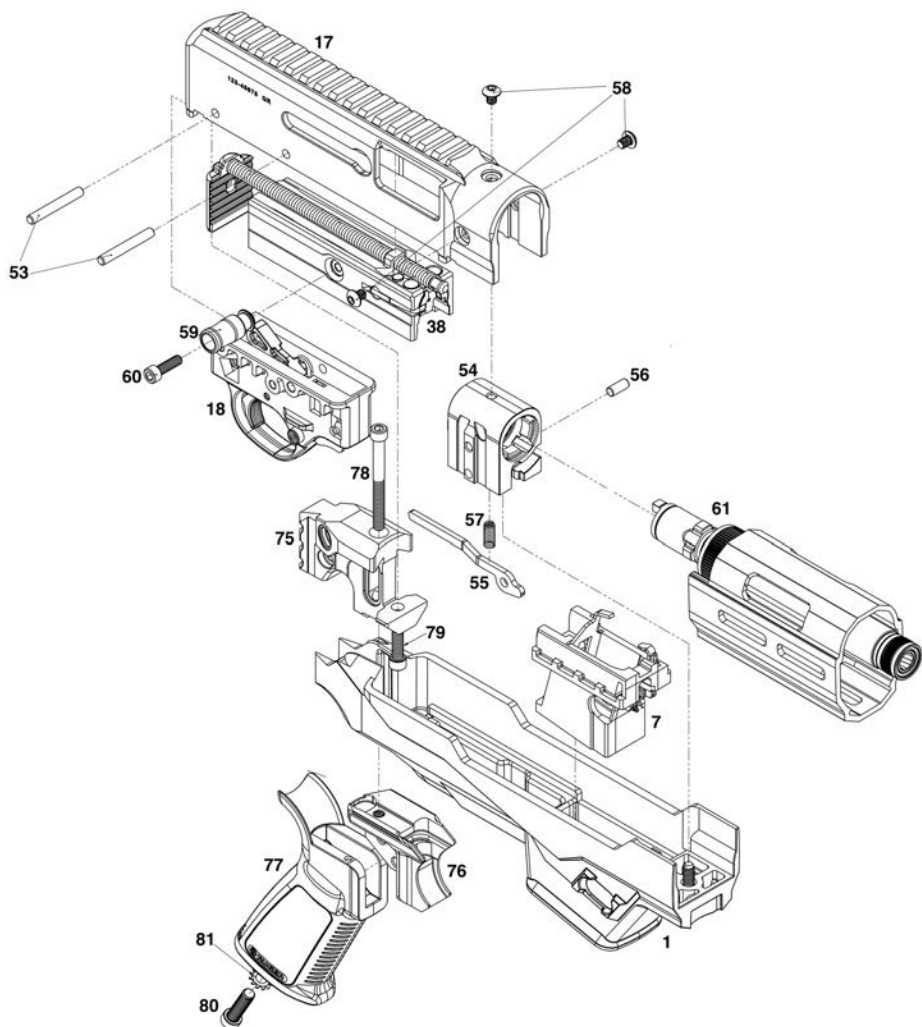
81 Lock Washer

RUGER® PC CHARGER™
CHASSIS ASSEMBLY

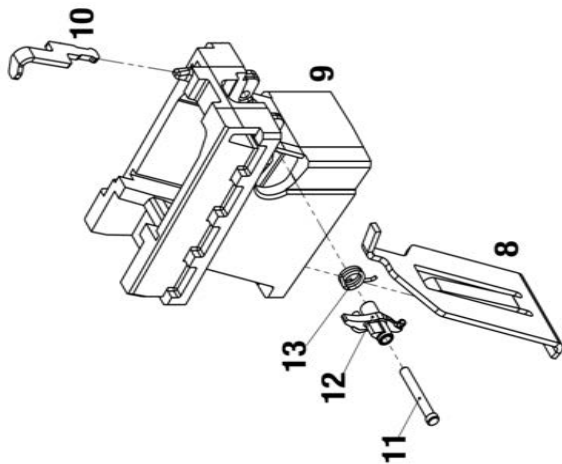


RUGER® PC CHARGER™

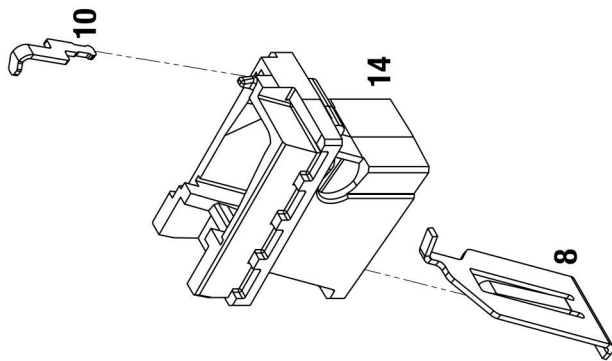
EXPLODED VIEW



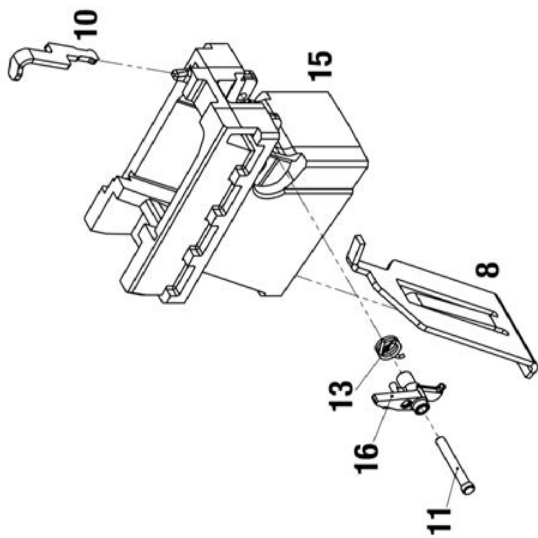
RUGER® PC CHARGER™
MAGAZINE WELL ASSEMBLIES



SR9®/SECURITY-9® ASSEMBLY
("SR9 S9" or "R9 R40")

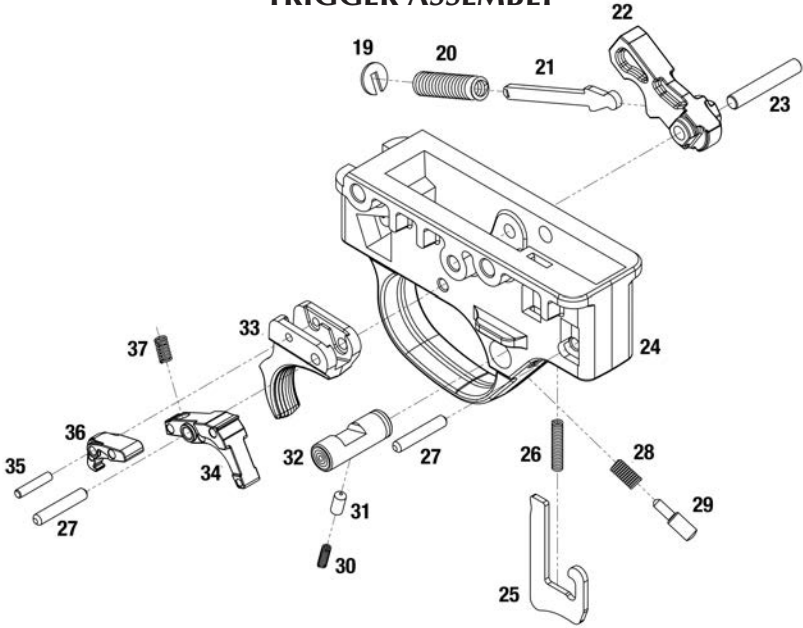


GLOCK®-STYLE ASSEMBLY
("G9" or "G9 G40")

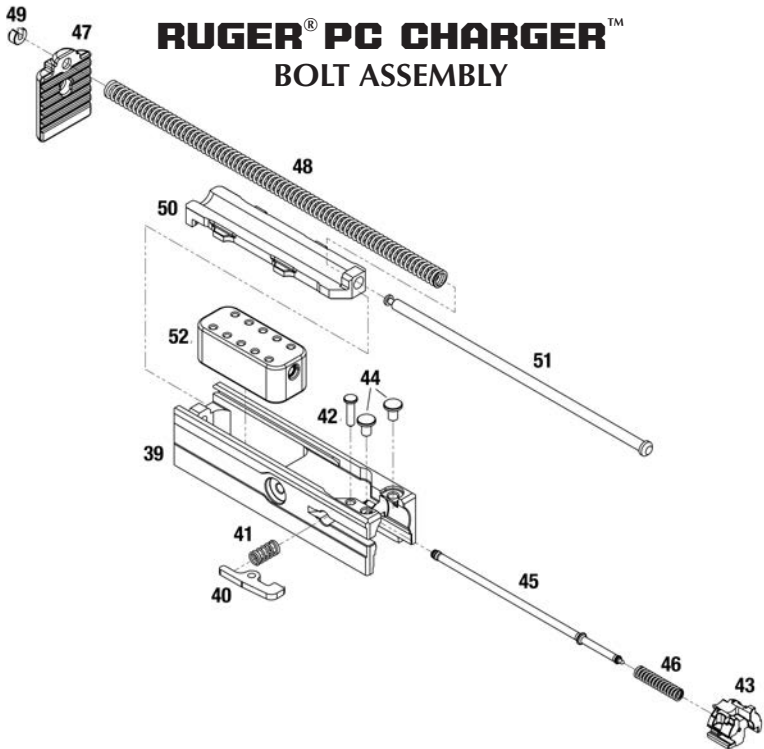


AMERICAN ASSEMBLY
("A9")

RUGER® PC CHARGER™
TRIGGER ASSEMBLY



RUGER® PC CHARGER™
BOLT ASSEMBLY



RUGER® PC CHARGER™
BARREL/HANDGUARD ASSEMBLY

