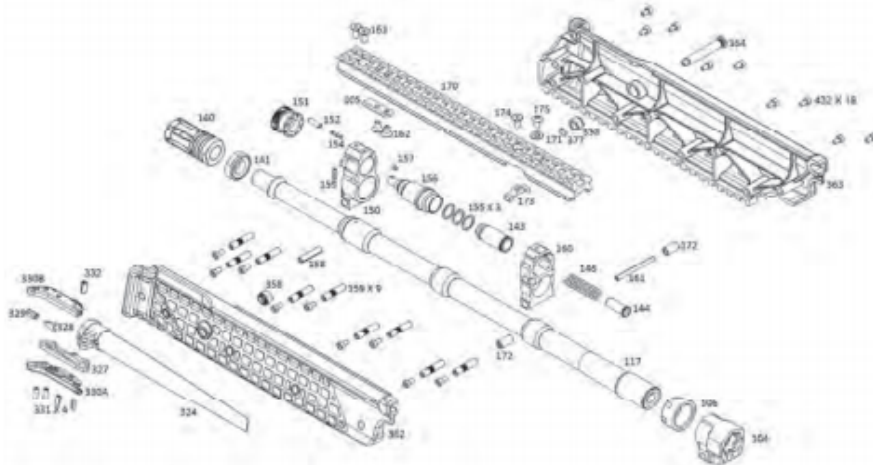


RDB™ Assembly Groups



Barrel Assembly Group



- 104-BARREL EXTENSION
- 105-RECOIL LUG
- 106-BARREL NUT
- 117-BARREL 17
- 140-FLASH HIDER
- 141-COMPENSATOR NUT
- 143-PISTON
- 144-PISTON DRIVER
- 146-PISTON SPRING
- 150-GAS BLOCK
- 151-GAS ADJUST
- 152-GAS ADJUST PIN
- 154-GAS ADJUST SPRING
- 155-GAS RING
- 156-GAS HEAD

- 157-GAS HEAD LOCK
- 158-GAS BLOCK PIN
- 159-GAS ADJUST PIN
- 160-GRIP MOUNT
- 161-GRIP MOUNT PIN
- 162-RECOIL LUG SCREW
- 163-GAS BLOCK SCREW
- 170-PICATINNY RAIL
- 171-GRIP MOUNT WASHER
- 172-HANDGUARD DOWEL
- 173-MANUAL BOLT STOP
- 174-MANUAL BOLT STOP SCREW
- 175-GRIP MOUNT SCREW
- 324-HANDLE WELDMENT

- 327-HANDLE LEVER
- 328-HANDLE PLUNGER
- 329-HANDLE SPRING
- 330A-HANDLE PANEL A
- 330B-HANDLE PANEL B
- 331-HANDLE PANEL RIVET
- 332-HANDLE AXIS PIN
- 357-CAPTOR SPRING
- 358-PIN CAPTOR
- 359-GRIP NUT LONG
- 362-HANDGUARD LEFT
- 363-HANDGUARD RIGHT
- 364-HANDGUARD PIN
- 377-CAPTOR SPRING
- 432-M3X6 SOCKET CAP SCREW