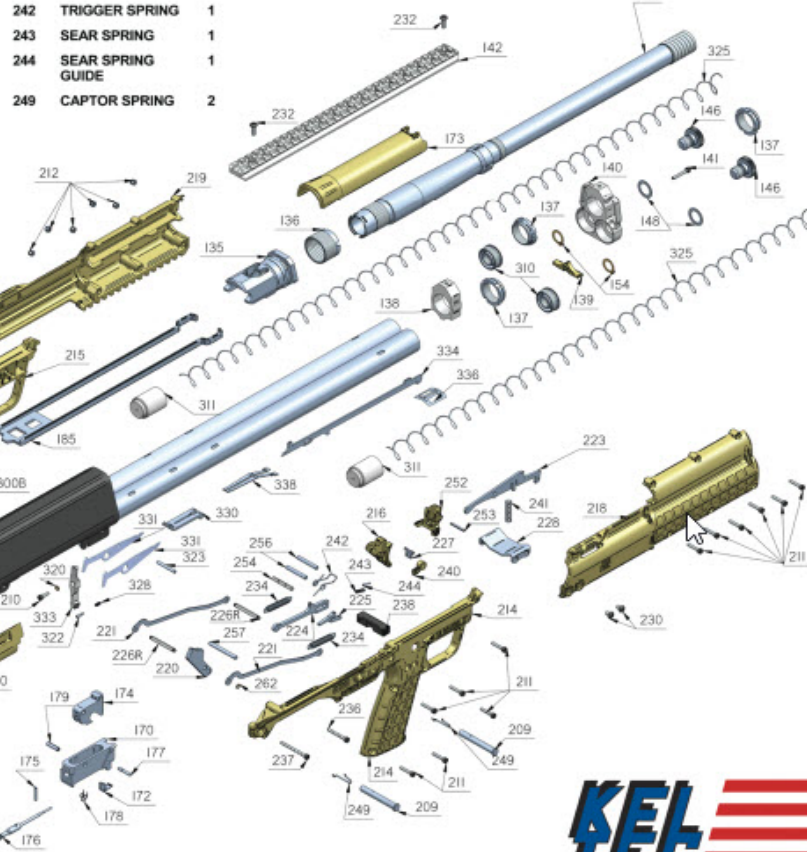


Kel-Tec KSG

118	BARREL	1	221	HAMMER BAR	2
135	BARREL EXTENSION	1	223	ACTION LOCK	1
136	BARREL NUT	1	224	SEAR BAR	1
137	BARREL RING	3	225	SEAR	1
138	SIGHT BASE	1	226R	HAMMER BAR PIN	2
139	PUMP BUFFER	1	227	SEAR CATCH	1
140	MUZZLE PLATE	1	228	MAG STOP ACTUATOR	1
141	M3-20 SOCKET HEAD	1	230	M4-6 BUTTON HEAD	4
142	PICATINNY	1	232	M4-12 BUTTON HEAD	2
146	MAG BOLT	2	234	HAMMER SPRING	2
148	WAVY WASHER	2	236	M3-25 SOCKET HEAD	1
154	MAG BOLT RETAINER CLIP	2			
170	BOLT	1			
172	EXTRACTOR	1			
173	HEAT SHIELD	1			
174	BOLT LOCK	1			
175	FIRING PIN PIN	1			
176	FIRING PIN	1			
177	EXTRACTOR AXIS	1			
178	EXTRACTOR SPRING	1			
179	BOLT LOCK PIN	1			
185	BOLT CARRIER	1			
209	FRAME PIN	2			
210	M3-10 SOCKET HEAD	1			
211	M3-16 SOCKET HEAD	17			
212	M3 NUT	19			
214	GRIP RIGHT	1			
215	GRIP LEFT	1	237	M3-35 SOCKET HEAD	1
216	TRIGGER	1	238	SAFETY	1
218	FOREND RIGHT	1	240	SAFETY SNAP	1
219	FOREND LEFT	1	241	ACTION BAR SPRING	1
220	HAMMER	1			



NOTE:
Exploded view of weapon is for reference only.
Design is subject to change without notice.

252	LOCK BUTTON	1
253	LOCK BUTTON PIN	1
254	SEAR GUIDE PIN	1
256	TRIGGER AXIS	2
257	HAMMER AXIS	1
300B	RECEIVER GEN 2	1
310	MAG PLUG	2
311	MAG FOLLOWER	2
320	SELECTOR WASHER	1
322	SELECTOR SNAP	1
323	CTG STOP PIN	1
324	STOCK PIN	2
325	MAG SPRING	2
328	SELECTOR SNAP SPRING	1
330	CTG CATCH INNER	1
331	CTG CATCH OUTER	2
333	SELECTOR	1
334	CTG STOP ACTUATOR	1
336	ACTUATOR SPRING	1
338	CTG STOP SPRING	1
350	LIFTER AXIS	2
352	LIFTER	1
376	STOCK RIGHT	1
377	STOCK LEFT	1
380	BUTT PAD	1



REV #020714