

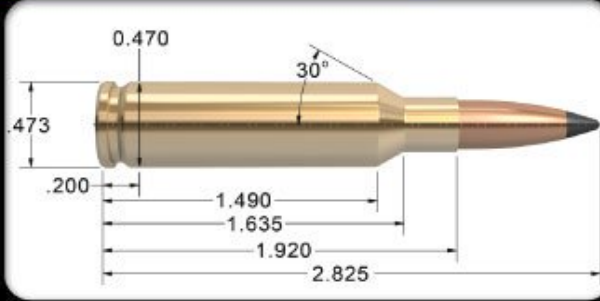
CARTRIDGE

6.5 Creedmoor - 123/125 grain

Version 8.0

Nosler

UP FRONT



6.5 Creedmoor - 123/125 grain

6.5mm (.264")

MAXIMUM S.A.A.M.I. O.A.C.L. 2.825"

TESTED O.A.C.L.

B.C.

S.D.

Custom Competition®	123gr. HPBT	2.775"	0.510	0.252
Partition®	125gr. Spitzer	2.790"	0.449	0.256

CASE TYPE:	Homady	PRIMER TYPE	Fed. 210
CASE HOLDS:	49.5 Gr. WATER	BARREL Length/Make	24" Pac-Nor
		BARREL Twist	1-8"

POWDER TYPE	POWDER CHG. GRS.	MUZZLE VEL. F.P.S.	LOAD DENSITY (VOLUME)
Varget	39.0 MAX.	2855	85%
	37.0	2763	81%
	35.0 *	2644	76%
IMR 4895	39.0 MAX.	2893	87%
	37.0 *	2781	82%
	35.0	2668	78%
IMR 4007 SSC Most Accurate Powder Tested	43.0 MAX.	2901	93%
	41.0 *	2803	89%
	39.0	2705	84%
Big Game	43.5 * MAX.	2907	93%
	41.5	2790	88%
	39.5	2685	84%
W760	44.0 MAX.	2927	93%
	42.0	2821	89%
	40.0 *	2703	85%
RL15	40.5 MAX.	2937	85%
	38.5	2828	81%
	36.5 *	2711	77%
H4350	44.5 MAX.	2985	95%
	42.5 *	2877	91%
	40.5	2772	87%
RL17	44.5 MAX.	3001	93%
	42.5 *	2881	89%
	40.5	2759	85%

All cartridge measurements are SAAMI maximum and due to variations from manufacturers actual measurements may vary.
 * Because Nosler, Inc. has no control over the actual components selected, the manner in which they are assembled or the condition of the firearm used, no responsibility, either expressed or implied is assumed for the use of this data.
 In no event shall Nosler, Inc. be liable for any damages resulting from the use of this data.*

* = Most accurate load tested

** = Compressed load