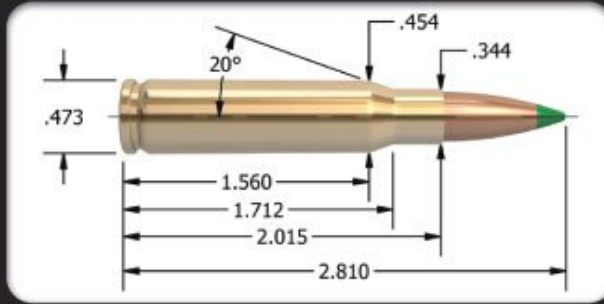


CARTRIDGE

308 Winchester - 125 grain

Version 8.0

Nosler
UP FRONT



308 Winchester - 125 grain

30 Cal. (.308")

MAXIMUM S.A.A.M.I. O.A.C.L. 2.810"

TESTED O.A.C.L. B.C. S.D.

AccuBond®	125gr. Spitzer	2.750"	0.366	0.188
Ballistic Tip®	125gr. Spitzer	2.750"	0.366	0.188

CASE TYPE:	Nosler	PRIMER TYPE	Fed 210M
CASE HOLDS:	51.5 Gr. WATER	BARREL Length/Make	24" Lilja
		BARREL Twist	1-10"

POWDER TYPE	POWDER CHG. GRS.	MUZZLE VEL. F.P.S.	LOAD DENSITY (VOLUME)
H335	46.5 * MAX.	2990	92%
	44.5	2870	88%
	42.5	2750	84%
IMR 4895	45.5 * MAX.	3010	97%
	43.5	2840	93%
	41.5	2670	89%
IMR 4320	48.0 * MAX.	3048	100%
	46.0	2883	96%
	44.0	2718	92%
RL7	41.5 * MAX.	3088	88%
	39.5	2953	83%
	37.5	2818	79%
Viht N135	46.5 * MAX.	3088	** 105%
	44.5	2979	100%
	42.5	2870	96%
Varget	50.0 * MAX.	3128	** 105%
	48.0	3039	** 101%
	46.0	2863	97%
A-2460	48.0 MAX.	3150	94%
	46.0	3040	90%
	44.0 *	2930	86%
Viht N140	49.5 * MAX.	3155	** 112%
	47.5	3045	** 107%
	45.5	2934	** 103%
W748 Most Accurate Powder Tested	51.5 * MAX.	3214	** 104%
	49.5	3143	100%
	47.5	3073	96%
TAC	50.0 MAX.	3284	99%
	48.0 *	3173	95%
	46.0	3061	91%

All cartridge measurements are SAAMI maximum and due to variations from manufacturers actual measurements may vary

* Because Nosler, Inc. has no control over the actual components selected, the manner in which they are assembled or the condition of the firearm used, no responsibility, either expressed or implied is assumed for the use of this data.

In no event shall Nosler, Inc. be liable for any damages resulting from the use of this data."

* = Most accurate load tested

** = Compressed load